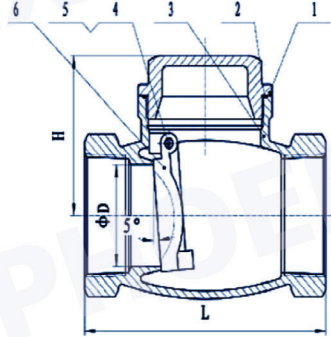


SWING CHECK VALVE *Stainless (screw)*

Model : CVS-3



Materials

NO.	Partname	Material
1	BONNET	CF8 / CF8M
2	GASKET	PTFE
3	BODY	CF8 / CF8M
4	HANGER PIN	SUS304
5	PLUG GASKET	PTFE
6	DISC	CF8 / CF8M

Features

- 200PSI/PN16
- Investment casting
- Precise Grinding
- Thread : ASME B1.20.1.DIN2999/259, ISO228-1, JIS B0203, ISO7/1
- Inspection Testing : API598, EN2266

Dimension

mm

Size	1/2	3/4	1	1 1/4	1 1/2	2	2 1/2	3
D	15	20	25	32	38	50	62	75
H	43	53	60	60	75	79	90	100
L	65	80	90	105	120	140	156	188