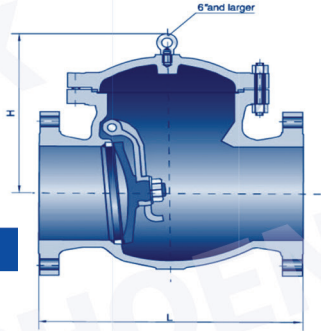


CHECK VALVE

Cast steel (150P)

Model : WBA

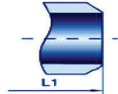
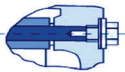


Materials

Part	Material		
Body	ASTM A216 WCB	ASTM A351 CF8	ASTM A351 CF8M
Seat ring	A105+STL	ASTM A351 CF8	ASTM A351 CF8M
Disc	WCB+13Cr	ASTM A351 CF8	ASTM A351 CF8M
Hinge	ASTM A216 WCB	ASTM A351 CF8	ASTM A351 CF8M
Nut	ASTM A194 2H	ASTM A194 28	ASTM A194 8M
Hinge pin	ASTM A182 F6a	ASTM A182 F304	ASTM A182 F316
Bonnet	ASTM A216 WCB	ASTM A351 CF8	ASTM A351 CF8M
Bonnet bolt	ASTM A193 B7	ASTM A193 B8	ASTM A193 B7M
Bonnet nut	ASTM A194 2H	ASTM A194 8	ASTM A194 8M
Gasket	SS304+Graphite	SS304+Graphite	SS316+Graphite
Eye bolt	Cast Steel	Cast Steel	Cast Steel

Features

- Face to face and end to end dimension : ASME B16.10
- Flange dimension :
24" and smaller valve : ASME B16.5
28" and large valve : ASME B16.47 series A
- Shell wall thickness :
24" and smaller to API 600
28" and large to manufacturer's standard
- B.W.End to ASME B16.25



BW End



RTJ End

Dimension

mm

Size	1 1/2	2	2 1/2	3	4	5	6	8	10	12	14	16
L-L1 (RF-BW)	165	203	216	241	292	330	356	495	622	698	787	864
L2 (RTJ)	178	216	229	254	305	343	368	508	635	711	800	877
H (open)	170	175	178	191	219	235	324	384	448	540	559	626
WT (kg)	RF	18	20	24	35	55	84	96	160	245	345	660
	BW	12	14	17	26	37	52	80	133	213	294	568