

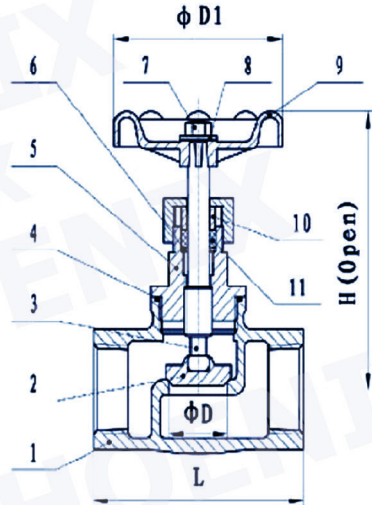
GLOBE VALVE Stainless steel (Screw)

Model : 558-SS



Materials

No.	Partname	Material
1	Body	CF8/CF8M
2	Petal	CF8/CF8M
3	Stem	SUS304
4	Gasket	PTFE
5	Cap	CF8/CF8M
6	Washer	SUS304
7	Nut	SUS304
8	Ring	SUS304
9	Handwheel	ALUMINUM ALLOY
10	Gland ring	SUS304
11	Stem packing	PTFE



Features

- 200PSI/PN16
- Investment Casting
- PED97/23/EC (C€ 0035) Approved
- Casting Approved AD2000-W0
- Thread : ASME B1.20.1 BS21.
DIN2999/259, ISO228-1, JIS B0203,ISO 7/1
- Inspection Testing : API598, EN12266

Dimension

mm

Size	1/2	3/4	1	1 1/4	1 1/2	2
D	15	20	25	32	40	50
H	100	106	118	134	152	172
D1	70	70	80	80	100	100
L	66	80	90	105	120	141