

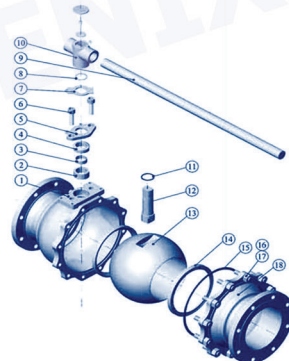
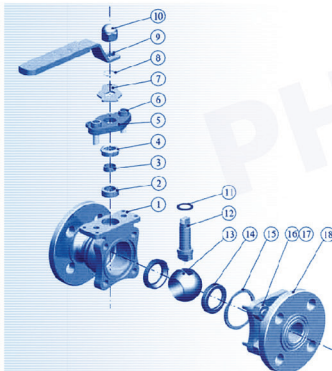
## BALL VALVE

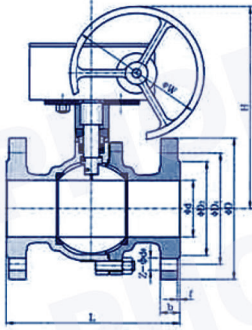
*Stainless steel*  
*Cast Steel*

- Model : 288-FK6**  
(SS304 / SS316 / WCB)
- : 288-FA6**  
(SS304 / SS316 / WCB)
- : 288-FN6**  
(SS304 / SS316 / WCB)

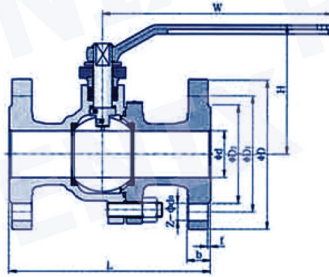
### Materials

NO.	Partname	Material				
		WCB / 13Cr	WCB / 304	WCB / 316	CF8	CF8M
1	Body	ASTM A216 WCB	ASTM A216 WCB	ASTM A216 WCB	ASTM A351 CF8	ASTM A351 CF8M
2	Packing	PTFE	PTFE	PTFE	PTFE	PTFE
3	Stem bearing	PTFE	PTFE	PTFE	PTFE	PTFE
4	Gland	ASTM A182 F6a	ASTM A182 F304	ASTM A182 F316	ASTM A182 F304	ASTM A182 F316
5	Gland flange	ASTM A216 WCB	ASTM A216 WCB	ASTM A216 WCB	ASTM A351 CF8	ASTM A351 CF8M
6	Gland bolt	ASTM A193 B7	ASTM A193 B7	ASTM A193 B7	ASTM A193 B8	ASTM A193 B8M
7	Stop collar	Carbon steel	Carbon steel	Carbon steel	Carbon steel	Carbon steel
8	Circlip	Carbon steel	Carbon steel	Carbon steel	Carbon steel	Carbon steel
9	Lever	Carbon steel	Carbon steel	Carbon steel	Carbon steel	Carbon steel
10	Nut or wrench head	Carbon steel	Carbon steel	Carbon steel	Carbon steel	Carbon steel
11	Thrust washer	PTFE	PTFE	PTFE	PTFE	PTFE
12	Stem	ASTM A182 F6a	ASTM A182 F304	ASTM A182 F316	ASTM A182 F304	ASTM A182 F316
13	Ball	ASTM A182 F6a	ASTM A182 F304	ASTM A182 F316	ASTM A182 F304	ASTM A182 F316
14	Seat	Reinforced PTFE	Reinforced PTFE	Reinforced PTFE	Reinforced PTFE	Reinforced PTFE
15	Gasket	PTFE	PTFE	PTFE	PTFE	PTFE
16	Body nut	ASTM A194 2H	ASTM A194 2H	ASTM A194 2H	ASTM A194 8	ASTM A194 8M
17	Body bolting	ASTM A193 B7	ASTM A193 B7	ASTM A193 B7	ASTM A193 B8	ASTM A193 B8M
18	Closure	ASTM A216 WCB	ASTM A216 WCB	ASTM A216 WCB	ASTM A351 WCB	ASTM A351 WCB

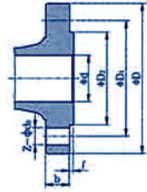




Gear box



Hand wheel



Class600~Class1500 flange

## Dimension mm

Pressure stage	Size	L		d	D	D1	D2	b	f	Z-d0	W		H		Weight	
		RF	RTJ								Hand	Gear	Hand	Gear	Hand	Gear
Class150 PN20	1/2	108	119	14	89	60.5	35	11.5	1.6	4-15	140	-	85	-	3	-
	3/4	117	130	19	98	70	43	11.5	1.6	4-15	140	-	90	-	4	-
	1	127	140	25	108	79.5	51	11.5	1.6	4-15	150	-	99	-	5	-
	1 1/4	140	153	32	117	89	64	13	1.6	4-15	180	-	105	-	7	-
	1 1/2	165	178	38	127	98.5	73	14.5	1.6	4-15	200	-	126	-	8	-
	2	178	191	51	152	120.5	92	16	1.6	4-19	250	-	140	-	12	-
	2 1/2	190	203	64	178	139.5	105	17.5	1.6	4-19	300	-	165	-	18	-
	3	203	216	76	190	152.5	127	19.5	1.6	4-19	350	-	178	-	24	-
	4	229	242	102	229	190.5	157	24	1.6	8-19	500	305	230	380	38	53
	5	356	369	127	254	216	186	24	1.6	8-22	800	305	280	405	60	79
	6	394	407	152	279	241.5	216	25.5	1.6	8-22	800	305	310	460	82	102
8	457	470	203	343	298.5	270	29	1.6	8-22	1000	305	350	550	145	185	
10	533	546	254	406	362	324	31	1.6	12-25	-	400	-	706	-	280	

Pressure stage	Size	1/2	3/4	1	1 1/4	1 1/2	2	2 1/2	3	4	5	6	8	10	
		PN16	W	Hand	140	140	150	180	200	250	300	350	500	800	800
Gear	-			-	-	-	-	-	-	-	305	305	305	305	-
H	Hand		85	90	99	105	126	140	165	178	230	280	310	350	-
	Gear		-	-	-	-	-	-	-	-	380	405	460	550	-
W (Kg)	Hand		3	4	5	7	8	12	17	23	35	52	76	134	-
	Gear		-	-	-	-	-	-	-	-	53	79	102	185	-

10K	L	108	117	127	140	165	178	190	203	229	356	394	457	533	
		W	Hand	140	140	150	180	200	250	300	350	500	800	800	1000
	Gear		-	-	-	-	-	-	-	-	305	305	305	305	400
	H	Hand	85	90	99	105	126	140	165	178	230	280	310	350	-
		Gear	-	-	-	-	-	-	-	-	380	405	460	550	706
	W (Kg)	Hand	3	4	5	7	8	12	18	24	38	60	82	145	-
Gear		-	-	-	-	-	-	-	-	53	79	102	185	280	