



**Model : TT , L-TT**

(CAST IRON)

**: TT-PT , L-TT-PT**  
(DUCTILE , CARBON STEEL)

**: TT-8M , L-TT-8M**  
(SS304 , SS316)

## BUTTERFLY VALVE

*Wafer Type and Lug Type*

*Cast Iron , Stainless steel*

### Materials

NO.	Name	Material	Specification				Remark	
			ASTM	DN	EN	JIS		
1	Body	Cast Iron	ASTM A126B	GG25	EN-GJS-250	FC200		
		Ductile Iron	ASTM A536	GGG40	EN-GJS-400	FCD450		
		Carbon Steel	A216 WCB	GS-C25	GP240 GH+N	SCPH2		
2	Disc	Stainless Steel	A351 CF8M	1.4408	BS970 304 S15	SCS14	PTFE or Nylon Coated Disc are all available	
		Aluminum Beonze	A351 CF8	1.4301	BS970 316 S15	SCS13		
		Plated Ductile Iron	ASTM A536	GGG40	EN-GJS-400	FCD450		
3	Stem	Carbon Steel	A216 WCB	GS-C25	GP240 GH+N	SCPH2		
		Carbon Steel	A216 WCB	GS-C25	GP240 GH+N	SCPH 2		
		Stainless Steel	A493-410	1.4201	BS970 410-S21	SUS410		
4	Seat	NBR (NITRILE)					-20°C - 80°C	
		EPDM						-25°C - 100°C
		HEAT RESISTANT EPDM						-25°C - 130°C
5	PIN	Carbon Steel	A216 WCB	GS-C25	GP240 GH+N	SCPH2		
		Carbon Steel	A216 WCB	GS-C25	GP240 GH+N	SCPH 2		
		Stainless Steel	A276-304	1.4301	BS970 304 S15	SCS13		
6	Bushing	Carbon Steel	A216 WCB	GS-C25	GP240 GH+N	SCPH2		
		Carbon Steel	A216 WCB	GS-C25	GP240 GH+N	SCPH 2		
		Stainless Steel	A276-316	1.4408	BS970 316 S15	SCS14		
7	O-Ring	NBR					-20°C - 80°C	
		EPDM						-25°C - 110°C
		VITON						-20°C - 200°C

### Technical Data

DN Nominal		2" - 40"	2"-32"	mm (inch)
PN Nominal Pressure		1.0	1.6	
Testing Pressure	Shell	1.5	2.4	Mpa
	Sealing	1.1	1.76	
Working Temperature		-15 + 150		
Suitable Mediums		Fresh water, Sewaga, Sea water, Air, Vapour, Food, Medicine, oils, Acids, Alkalies, Salt, etc.		
Operation methods		handle, electric, pneumatic and liquid-driving		

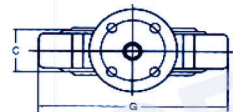
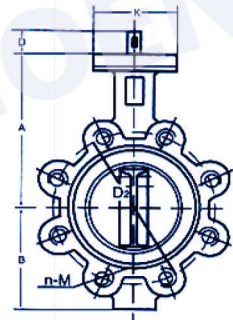
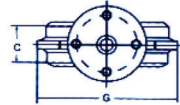
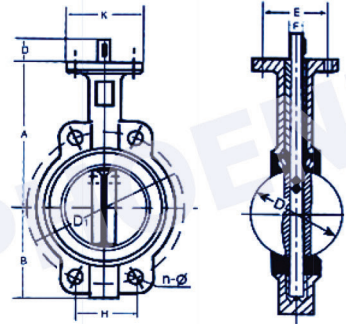
## Permitted using temperature for sealing rubber

Rubber code	(NR) natural-p	(JIR) buta-D1	(NBH) buta-D	(CR) chlo-L	(EPDM) levu-Y	(SI) Silicon-G	(FIPM) fluorine-F	chla-alcohol		F4
	F1	F2								
high-temperature resistance	70	100	100	100	120	250	230	100	100	200
low temperature resistance	-50	-40	-20	-40	-40	-100	-10	-30	-30	-30

## Dimension

mm

Size	A	B	C	D	E	F	K
50	161	80	43	32	57.15	12.6	77
65	175	89	46	32	57.15	12.6	77
80	188	95	46	32	57.15	12.6	77
100	200	114	52	32	69.85	15.77	92
125	213	127	56	32	69.85	18.92	92
150	226	139	56	32	69.85	18.92	92
200	260	175	60	45	88.9	22.10	115
250	292	203	68	45	88.9	28.45	115
300	337	242	78	45	107.95	31.60	140
350	368	267	78	45	107.95	31.60	140
400	400	298	102	51.2	158.75	33.15	197
450	422	318	114	51.2	158.75	38.00	197
500	480	349	127	64.2	185.75	41.15	197
600	562	440	154	70.2	215.9	50.65	276
700	624	520	163	66	254	55.00	300
800	672	591	188	66	254	55.00	300



## Weight (kg)

mm

Size	Wafer	Lug	Size	Wafer	Lug
50 (2")	2.5	3.8	300 (12")	32.5	40
65 (2.5")	3.2	4.2	350 (14")	41.3	56
80 (3")	3.6	4.7	400 (16")	61	90
100 (4")	4.9	9.0	450 (18")	87	111
125 (5")	7	10.9	500 (20")	98	123
150 (6")	7.8	14.2	600 (24")	133	178
200 (8")	13.2	18.2	700 (28")	187	
250 (10")	19.2	26.8	800 (32")	387	

Flange drilling is available on request such as :

GB9112-8B, DIN2501, BS4504, ISO2084, ISO2531, BS10-E, ANSI125/150, ASA125/150, AS129 Table D/E