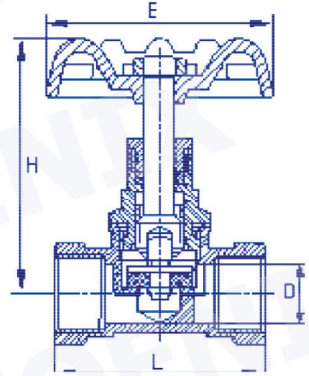


## GLOBE VALVE *Brass (screw)*

Model : GBFB



### Materials

NO.	Parts	Material
1	Body	Brass
2	PIN	Brass
3	Nut	Brass
4	Seal Cover	Brass
5	Stem	Brass
6	Gland Nut	Brass
7	Handle	Aluminium
8	Nut	Brass
9	Rating Disc	PTFE
10	Stem Ring	Brass
11	Gasket	PTFE
12	Gland Nut	Brass
13	Seal	PTFE

**Working Pressure : 200 PSI**  
**Working Temperature : -20°C to 180°C**  
**C = 5/9 (°F-32) / °F = 32+9/5°C**

Size	DN	D	L	H	E
<b>1/2</b>	15	Ø12.5	57	91	60
<b>3/4</b>	20	Ø17	66	101	70
<b>1</b>	25	Ø22	77	110	80
<b>1 1/4</b>	32	Ø29	88	124	90
<b>1 1/2</b>	40	Ø36	99	138	100
<b>2</b>	50	Ø48	119	162	115