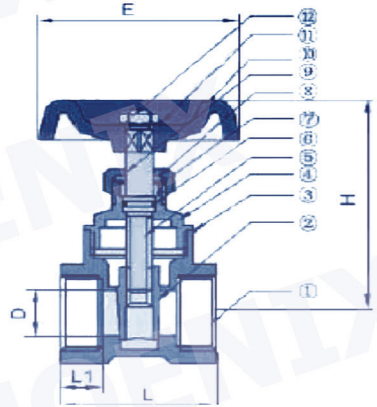


GATE VALVE

Brass

Model : GTFB



Materials

NO.	Partname	Material
1	Body	Brass
2	Wedge	Brass
3	Seal	PTFE
4	Bonnet	Brass
5	Stem	Brass
6	O-ring	NBR
7	Ring Nut	Brass
8	Gasket	PTFE
9	Gland Nut	Brass
10	Handle	Brass
11	Rating	Aluminium
12	Nut	Steel

Working Pressure : 16 Bar

Working Temperature : 0°C to 180°C

$^{\circ}\text{C} = 5/9 (^{\circ}\text{F} - 32) / ^{\circ}\text{F} = 32 + 9/5^{\circ}\text{C}$

Dimension

mm

Size	DN	D	L	L1	H	E
1/2	15	Ø12.5	45	12	69	54
3/4	20	Ø15.5	46	13	75	54
1	25	Ø21	52	14	85	58
1 1/4	32	Ø27	56	15	101	72
1 1/2	40	Ø32.5	58	16	105	72
2	50	Ø42	66	17	127	78
2 1/2	65	Ø55	76	21	157	98
3	80	Ø66	82	22	184	108
4	100	Ø84	97	25	228	126